

# Fluid Cooling Shell & Tube HC Series - Four Pass

## COPPER & STEEL CONSTRUCTION

### Performance Notes

- Preferred for new oil-water applications
- Rugged steel construction
- Low cost
- NPT, SAE O-Ring, SAE flange, or BSPP shell side connections available
- End bonnets removable for servicing
- Mounting feet included (may be rotated in 90° increments)



### OPTIONS

Optional material construction on tubes, tubesheets and end bonnets

## Ratings

**Maximum Operating Pressure - Shell Side**  
300 PSI\*

**Maximum Operating Pressure - Tube Side**  
150 PSI

**Maximum Operating Temperature**  
300°F

## Materials

**Tubes** Copper

**Tubesheet** Carbon steel

**Shell** Carbon steel

**Baffles** Carbon steel

**End Bonnets** Cast iron

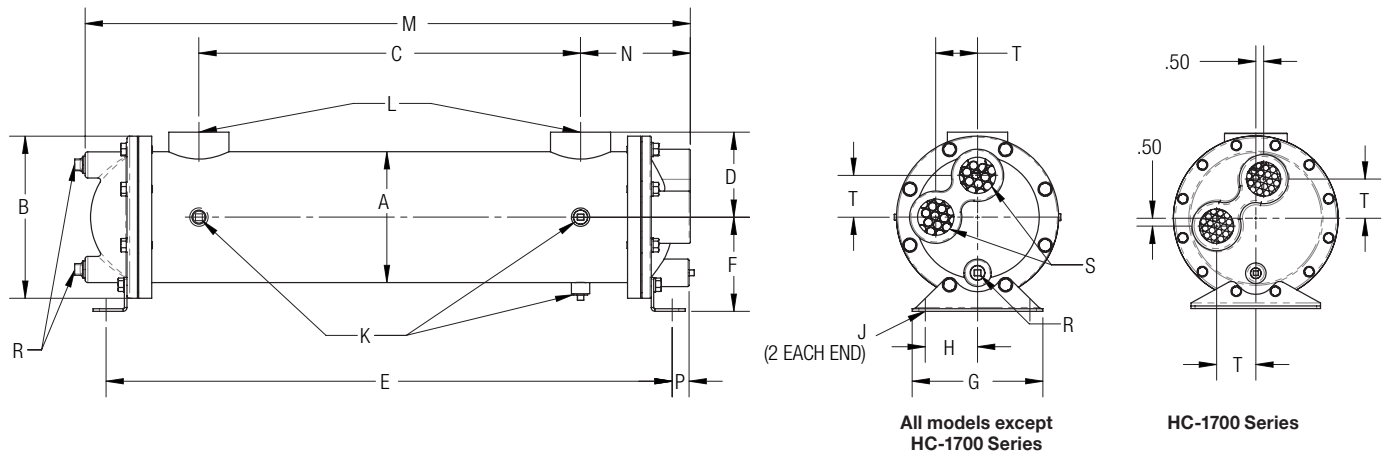
**Mounting Brackets** Carbon steel

**Gaskets** Nitrile rubber/cellulose fiber

**Nameplate** Aluminum foil

# Dimensions

## Four Pass



All models except  
HC-1700 Series

HC-1700 Series

Model	A	B	C	D	E	F	G	H	J	K NPT	L NPT	M	N	P	R NPT	S NPT	T
614	3.27	4.50	10.00	2.31	16.37	2.75	4.50	1.63	0.44	0.25	1.00	17.19	3.62	0.44	.38 (2)	0.75	1.00
624	3.27	4.50	20.00	2.31	26.37	2.75	4.50	1.63	0.44	0.25	1.00	27.19	3.62	0.44	.38 (2)	0.75	1.00
814	4.25	6.00	9.00	3.13	16.56	3.50	4.25	1.75	0.44	0.25	1.50	17.87	4.44	0.69	.38 (3)	0.75	1.25
824	4.25	6.00	19.00	3.13	26.56	3.50	4.25	1.75	0.44	0.25	1.50	27.87	4.44	0.69	.38 (3)	0.75	1.25
836	4.25	6.00	31.00	3.13	38.56	3.50	4.25	1.75	0.44	0.25	1.50	39.87	4.44	0.69	.38 (3)	0.75	1.25
1014	5.24	6.75	9.00	3.43	17.35	4.00	5.25	2.00	.50 x .75	0.25	1.50	18.83	4.83	0.69	.38 (3)	1.00	1.69
1024	5.24	6.75	19.00	3.43	27.35	4.00	5.25	2.00	.50 x .75	0.25	1.50	28.83	4.83	0.69	.38 (3)	1.00	1.69
1036	5.24	6.75	31.00	3.43	39.35	4.00	5.25	2.00	.50 x .75	0.25	1.50	40.83	4.83	0.69	.38 (3)	1.00	1.69
1224	6.26	7.75	18.25	4.06	27.07	4.50	6.25	2.50	.50 x .75	0.38	2.00	28.94	5.25	0.87	.38 (3)	1.50	2.00
1236	6.26	7.75	30.25	4.06	39.07	4.50	6.25	2.50	.50 x .75	0.38	2.00	40.94	5.25	0.87	.38 (3)	1.50	2.00
1248	6.26	7.75	42.25	4.06	51.07	4.50	6.25	2.50	.50 x .75	0.38	2.00	52.94	5.25	0.87	.38 (3)	1.50	2.00
1260	6.26	7.75	55.25	4.06	64.07	4.50	6.25	2.50	.50 x .75	0.38	2.00	65.94	5.25	0.87	.38 (3)	1.50	2.00
1724	8.62	10.50	17.00	5.43	27.31	5.75	7.25	3.50	.63 x .88	0.38	3.00	30.70	7.20	2.08	.38 (3)	2.00	2.50
1736	8.62	10.50	29.00	5.43	39.31	5.75	7.25	3.50	.63 x .88	0.38	3.00	42.70	7.20	2.08	.38 (3)	2.00	2.50
1748	8.62	10.50	41.00	5.43	51.31	5.75	7.25	3.50	.63 x .88	0.38	3.00	54.70	7.20	2.08	.38 (3)	2.00	2.50
1760	8.62	10.50	53.00	5.43	63.31	5.75	7.25	3.50	.63 x .88	0.38	3.00	66.70	7.20	2.08	.38 (3)	2.00	2.50
1772	8.62	10.50	65.00	5.43	75.31	5.75	7.25	3.50	.63 x .88	0.38	3.00	78.70	7.20	2.08	.38 (3)	2.00	2.50